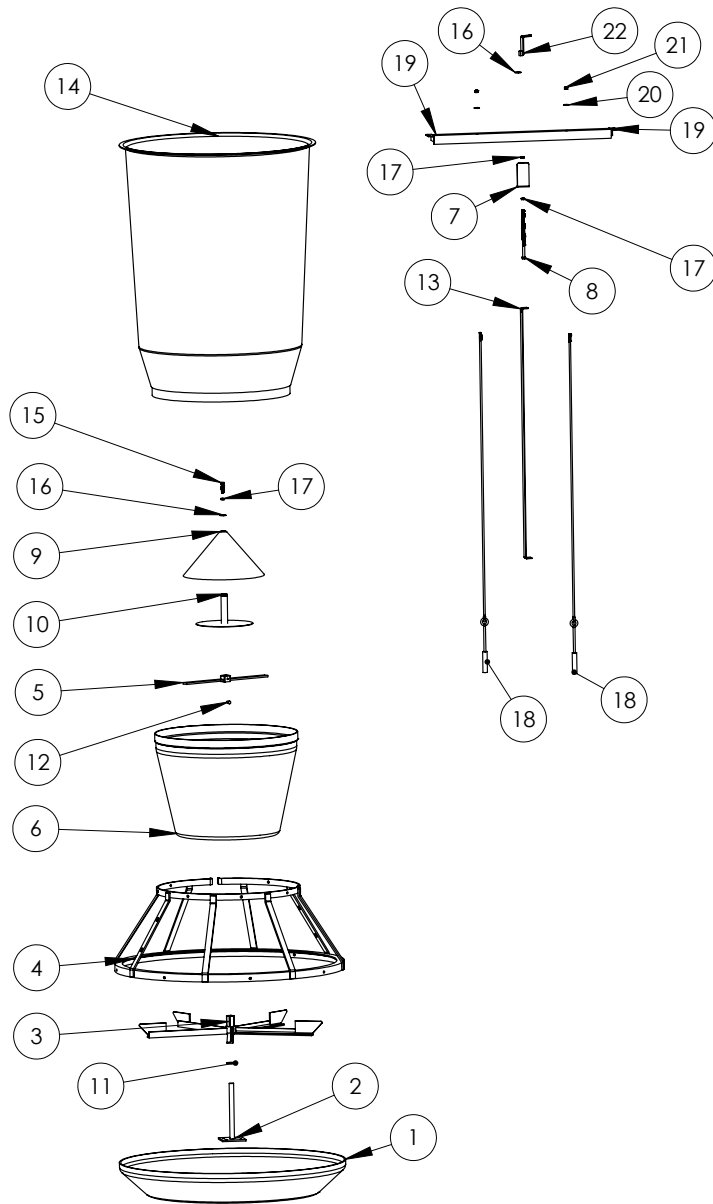


Big Wheel® Model RF3 Finish Confinement Feeder



Item No.	Part Number	Description	Qty.
1	KF-F10003	Trough RF3	1
2	KF-F10008	Axle Assembly RF3	1
3	KF-F10006	Feed Wheel RF3	1
4	KF-F10005	Trough Divider RF3	1
5	KF-F10007	Feed Sweep RF3	1
6	KF-F10001	Hopper Bottom RF3	1
7	KF-F10016	Feed Gauge Adjustment Plate	1
8	RFB-3910	HHCS Tap Bolt 3/8" x 8" Long 6" Thread ZP	1
9	KF-F10004	Cone RF3	1
10	KF-F10009	Cone Support RF3	1
11	RFW-7001	3/4" Feed Wheel Washer SS	1
12	RFB-1100	HHCS 1/4-28 x 1/2 GR8 ZP	1
13	KF-F30005	Cone Adjust Strap, RF3	1
14	KF-F30001	Hopper Top RF3	1
15	RFB-3200	HHCS 3/8" x 1 1/2" Long ZP	1
16	RFW-3100	Washer 3/8 Flat ZP	2
17	RFN-3500	3/8 Hex Jam Nut ZP	3
18	FF-00RF3B	Bump Bar RF3	2
19	KF-F30003	Crossbar RF3	1
20	RFW-2000	Washer 5/16 Flat ZP	2
21	RFN-2400	Nut 5/16 Hex Loc Nylon ZP	2
22	KF-F10017	RF/RN Handle Nut	1