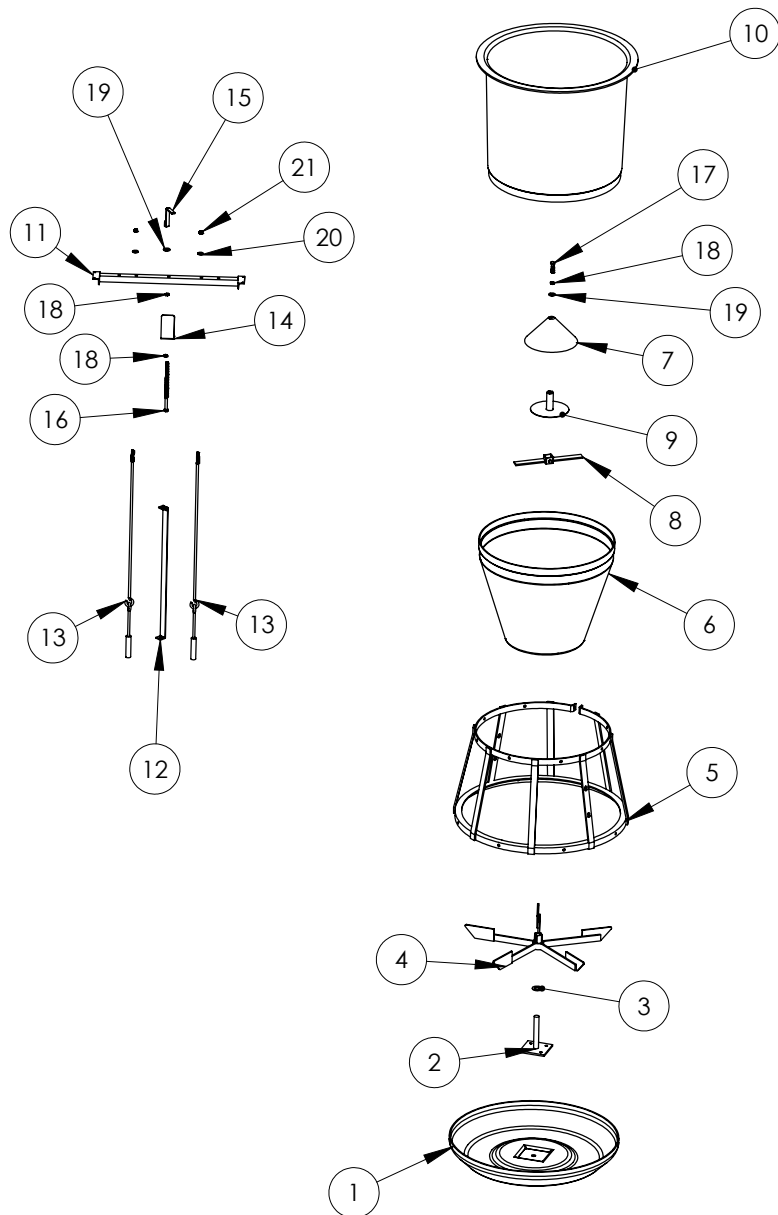


# Big Wheel® Model RN1 Nursery Confinement Feeder



Item No.	Part Number	Description	Qty.
1	KF-N10003	Trough RN1	1
2	KF-N10008	Axle Assembly RN1	1
3	RFW-7001	3/4" Feed Wheel Washer SS	1
4	KF-N10006	Feed Wheel RN1	1
5	KF-N10005	Trough Divider RN1	1
6	KF-N10001	Hopper Bottom RN1	1
7	KF-N10004	Cone RN1	1
8	KF-N10007	Feed Sweep RN1	1
9	KF-N10009	Cone Support RN1	1
10	KF-N10002	Hopper Top RN1	1
11	KF-N10011	Crossbar RN1	1
12	KF-N10013	Cone Adjust Strap RN1	1
13	FF-00RN1B	Bump Bar RN1	2
14	KF-F10016	Feed Gauge Adjustment Plate	1
15	KF-F10017	RF/RN Handle Nut	1
16	RFB-3910	HHCS Tap Bolt 3/8" x 8" Long 6" Thread ZP	1
17	RFB-3200	HHCS 3/8" x 1 1/2" Long ZP	1
18	RFN-3500	3/8 Hex Jam Nut ZP	3
19	RFW-3100	Washer 3/8 Flat ZP	2
20	RFW-2000	Washer 5/16 Flat ZP	2
21	RFN-2400	Nut 5/16 Hex Loc Nylon ZP	2