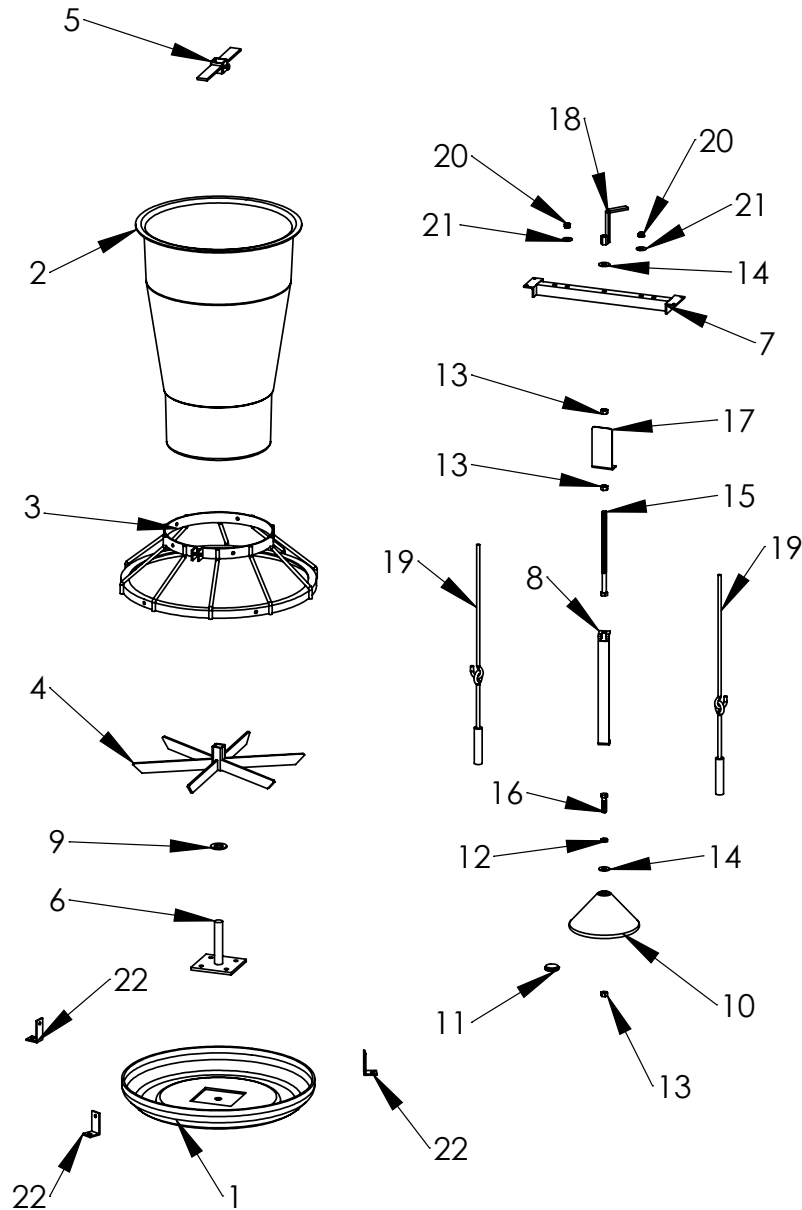


Big Wheel® Model RN4 Nursery Confinement Feeder



Item No.	Part Number	Description	Qty.
1	KF-N40002	Trough RN4	1
2	KF-N40001	Hopper RN4	1
3	KF-N40003	Trough Divider RN4	1
4	KF-N40004	Feed Wheel RN4	1
5	KF-N30006	Feed Sweep RN4	1
6	KF-N30007	Axle Assembly RN4	1
7	KF-N40006	Crossbar RN4	1
8	KF-N40009	Cone Adjust Strap, RN4	1
9	RFW-7001	3/4" Feed Wheel Washer SS	1
10	RMX-1010	RN4 Cone, Blow Molded HDPE	1
11	RFP-5120	1 1/8" Button Plug	1
12	RFN-3500	3/8" Hex Jam Nut ZP	1
13	RFN-3100	3/8" Hex Nut ZP	3
14	RFW-3100	Waher 3/8" Flat ZP	2
15	RFB-3910	HHCS Tap Bolt 3/8" x 8" Long 6" Thread ZP	1
16	RFB-3200	HHCS 3/8" x 1 1/2" Long ZP	1
17	KF-F10016	Feed Gauge Adjustment Plate	1
18	KF-F10017	RF/RN Handle Nut	1
19	FF-00RN4B	Bump Bar RN4	2
20	RFN-2400	Nut 5/16 Hex Loc Nylon ZP	2
21	RFW-2000	Washer 5/16" Flat ZP	2
22	KF-NR0007	Anchor Bracket RN4	3