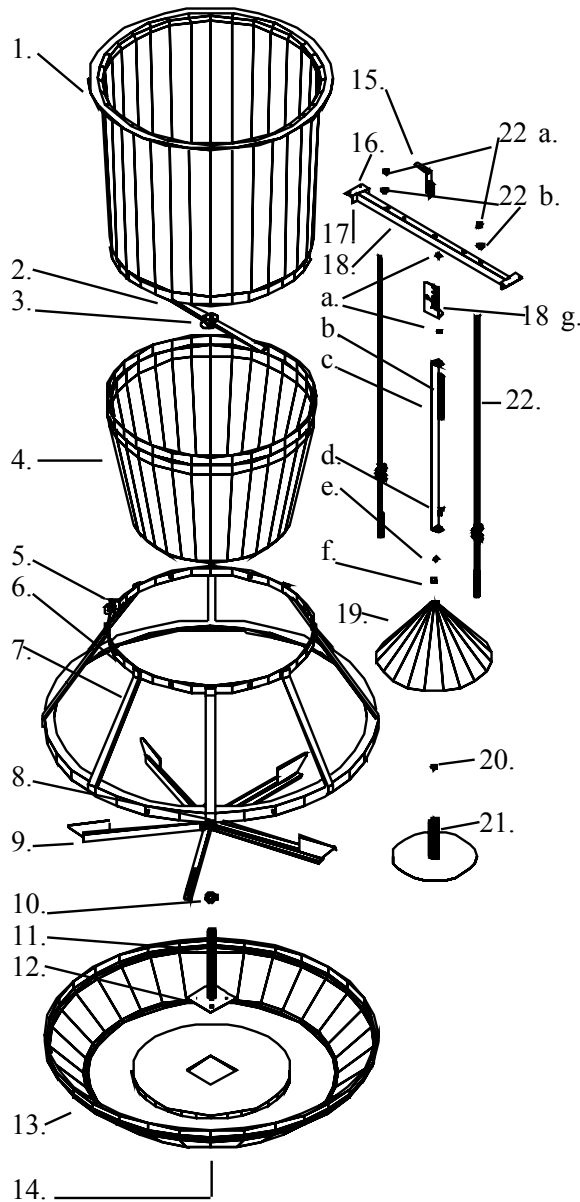


# Big Wheel® Model RF2 Wean-to-Finish Feeder



Item No.	Part Number	Description	Qty.
1	KF-N10002	Hopper Top	1
2	KF-N10007	Feed Sweep	1
3	RFB-1100	Set Screw	1
4	KF-F20005	Hopper Bottom	1
5	RFB-2150	Tightener Bolt	1
	RFN-2100	Tightener Nut	1
	RFN-2200	Tightener Jam Nut	1
6	RFB-2050	Divider Bolts	7
	RFN-2300	Divider Nuts	7
7	KF-F20002	Trough Divider Cage	1
8	RFB-2050	Divider Bolts	8
	RFN-2300	Divider Nuts	8
9	KF-F20003	Feed Wheel	1
10	RFW-7001	Feed Wheel Washer	1
11	KF-N10008	Axle Assembly	1
12	RFB-0821	Axle Bolts	4
13	KF-F20001	Trough	1
14	RFN-0851	Axle Flange Nuts	4
15	KF-F10017	Handle Nut	1
16	RFB-0810	Crossbar Bolts	4
17	RFN-0811	Crossbar Nuts	4
18	KF-N10011	Crossbar	1
a	RFN-3100	Full Hex Nuts	2
b	RFB-3910	Feed Gauge Assembly Bolt	1
c	KF-N10013	Cone Strap	1
d	RFB-3200	Bolt	1
e	RFN-3500	Jam Hex Nut 3/8"	1
f	RFW-3100	Flat Washer	1
g	KF-F10016	Feed Gauge Adjustment Plate	1
19	KF-N10004	Cone	1
20	RFW-2000	Cone Support Washer	1
21	KF-N10009	Cone Support	1
22	FF-00RN1B	Bump Bar Agitator	2
a	RFN-1401	Bump Bar Lock Nut	2
b	RFW-2000	Bump Bar Washer	2