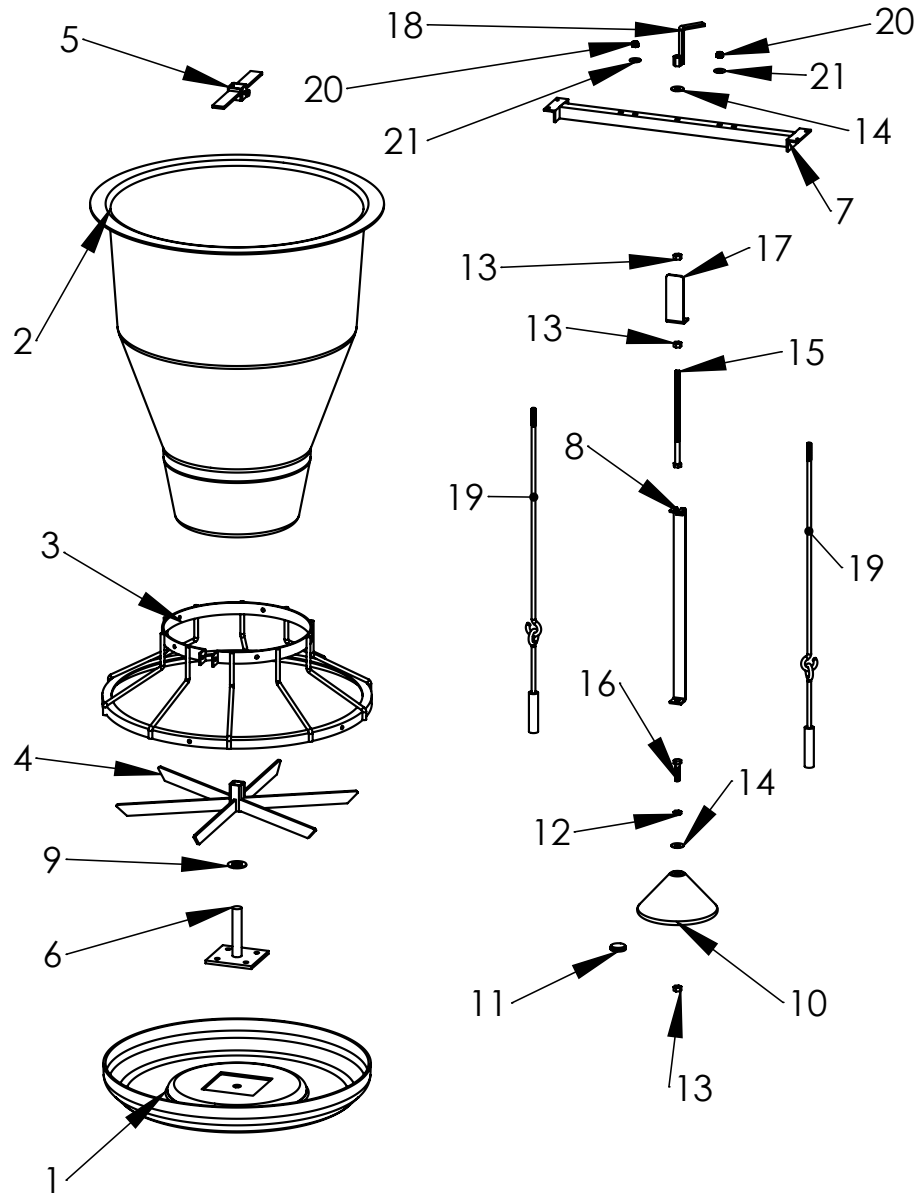


Big Wheel® Model RN3 Nursery Confinement Feeder



Item No.	Part Number	Description
1	KF-N30002	RN3 Trough
2	KF-N30001	RN3 Hopper
3	KF-N30004	RN3 Trough Divider
4	KF-N30005	RN3 Feed Wheel
5	KF-N30006	RN3/RN4 Feed Sweep
6	KF-N30007	RN3 Axle Assembly
7	KF-N30010	RN3 Crossbar
8	KF-N30014	RN3 Cone Adjust Strap
9	RFW-7001	3/4" Feed Wheel Washer SS
10	RMX-1010	RN3 Cone Blow Molded HDPE
11	RFP-5120	1 1/8" Button Plug
12	RFN-3500	3/8" Hex Jam Nut ZP
13	RFN-3100	3/8" Hex Nut ZP
14	RFW-3100	Washer 3/8" Flat ZP
15	RFB-3910	HHCS Tap Bolt 3/8" x 8" Long 6" Thread ZP
16	RFB-3200	HHCS 3/8" x 1 1/2" Long ZP
17	KF-F10016	Feed Adjustment Plate
18	KF-F10017	RF/RN Handle Nut
19	FF-00RN3B	RN3 Bump Bar
20	RFN-2400	Nut 5/16" Hex Loc Nylon ZP
21	RFW-2000	Washer 5/16" Flat ZP